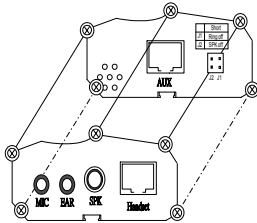


Operation Manual IntelliTrac of Handsfree Device

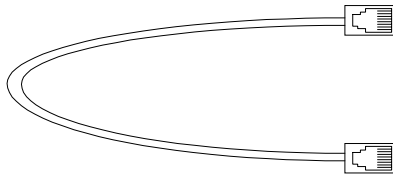
I. Accessory

The Handsfree Device consists of the following items:

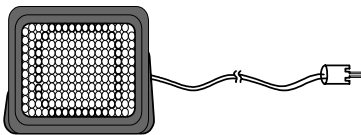
– Audio Box



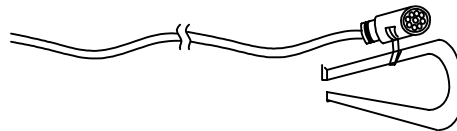
– Data cable
(connects Audio Box and X8 unit)



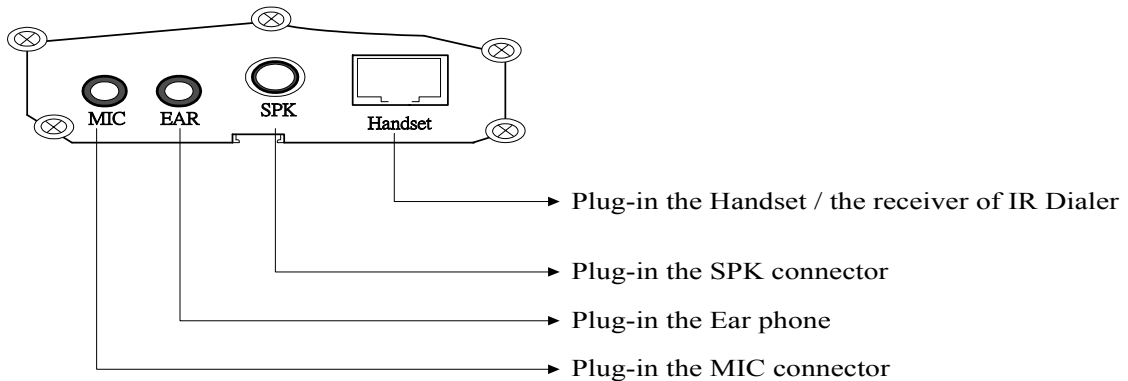
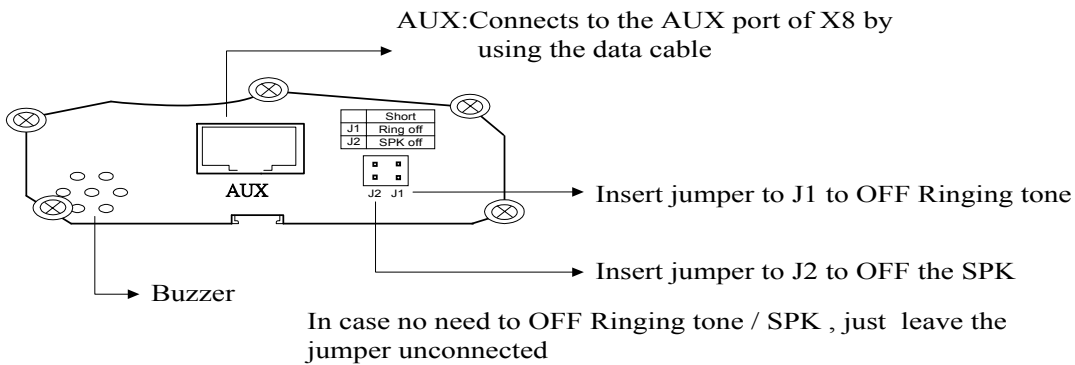
– Speaker



– Microphone



II. Installation



III. How to configure the Handsfree Device

- 1) Configure the Vehicle Unit – IntelliTrac X8 to be the Handsfree Mode by HyperTerminal
Please Perform the command “ST+Hctrl=2” for X8 unit.
- 2) Configure the vehicle unit – IntelliTrac X8 to be the HandsFree Mode by IntelliTrac Configuration Software – “Installwizard”

IV. Mode Selection

Mode	MIC	Ear	Spk	Handset-MIC	Handset-SPK
Handsfree	○	○	○	—	—
WireTape	○	—	—	—	—
Handset	—	—	—	○	○
Normal	—	—	—	—	—

Note:

○ : enable

— : disable

Caution: The GSM Antenna of X8 should be placed apart from Mic and SPK in an appropriated distance in order to ensure the best audio performance.